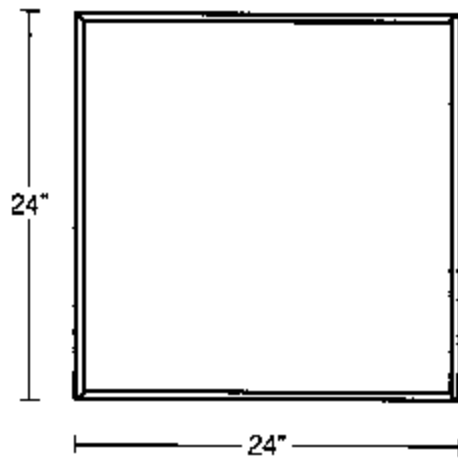
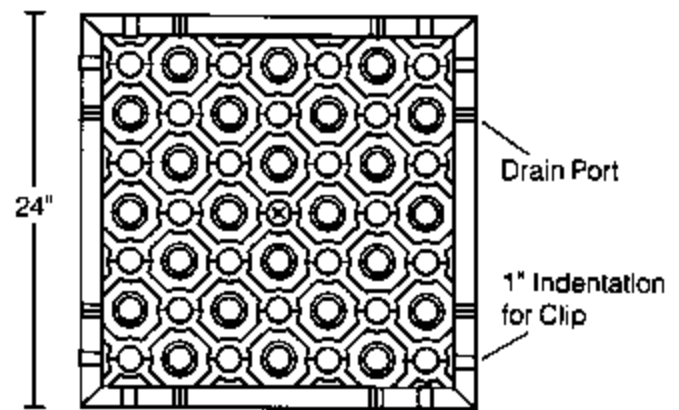


Kid Kushion Tiles & Ramps (Patent Pending)

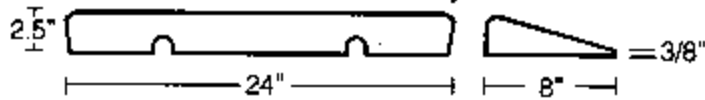
Top view 2.5 and 3.5 tiles



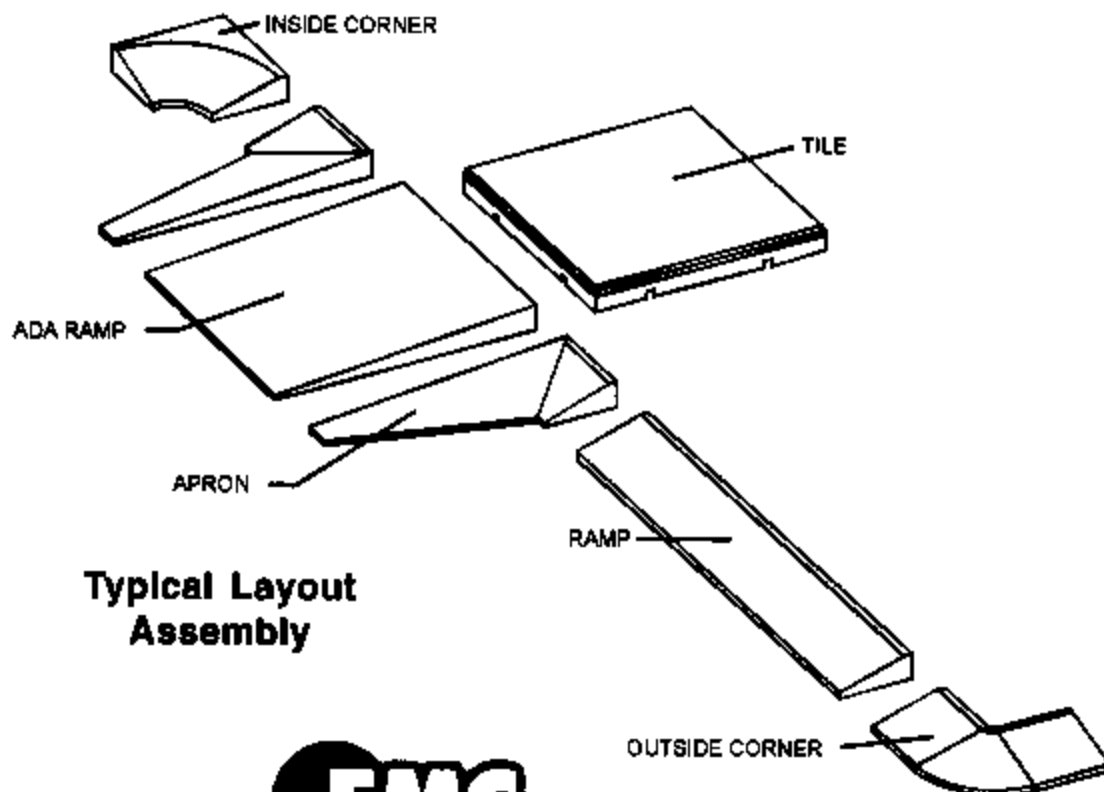
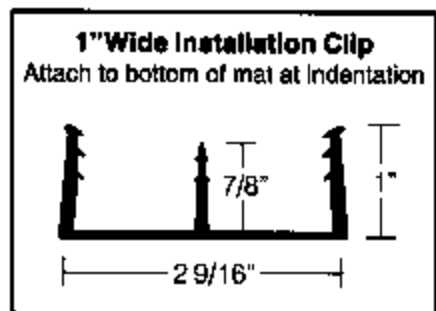
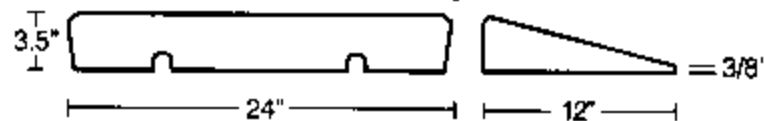
Bottom view 2.5 and 3.5 tiles



Side view 2.5" tile and ramp



Side view 3.5" tile and ramp



Typical Layout Assembly

EMC
ENVIRONMENTAL
MOLDING CONCEPTS