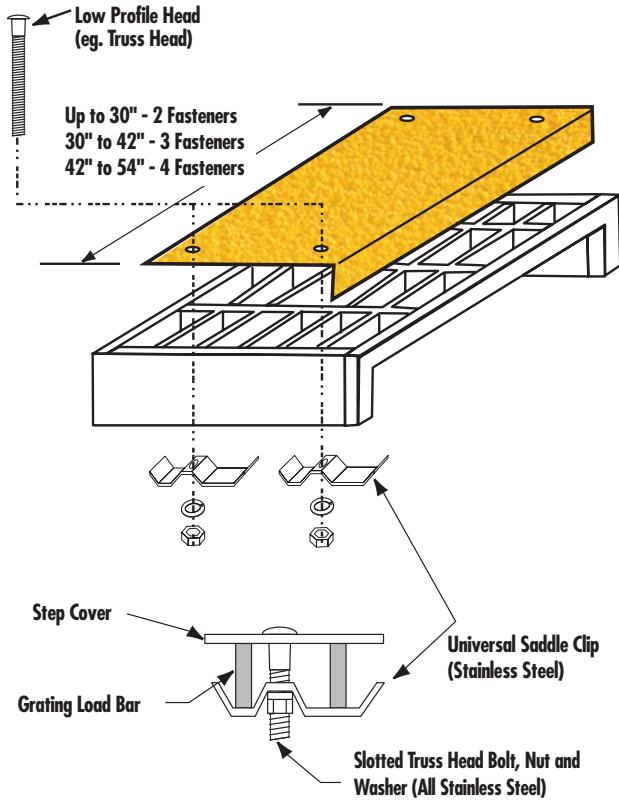


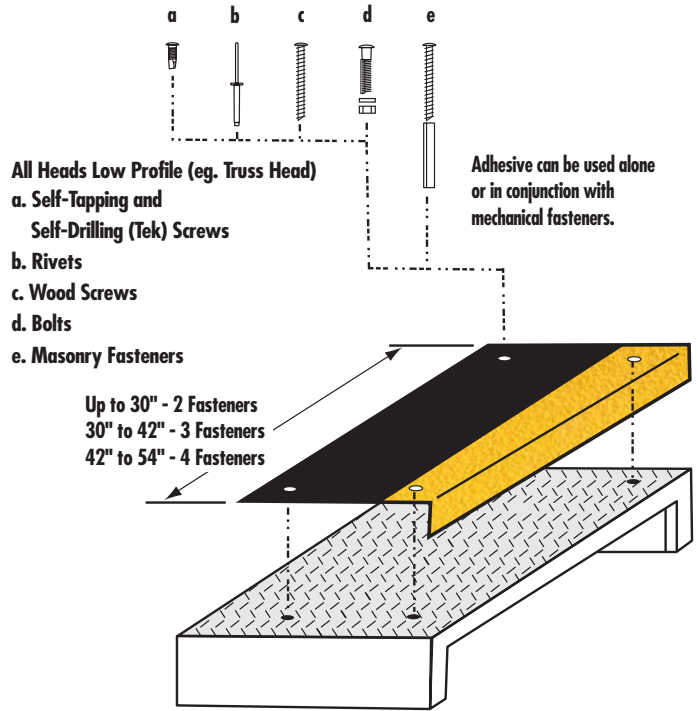
Installation Diagrams

Safety Underfoot

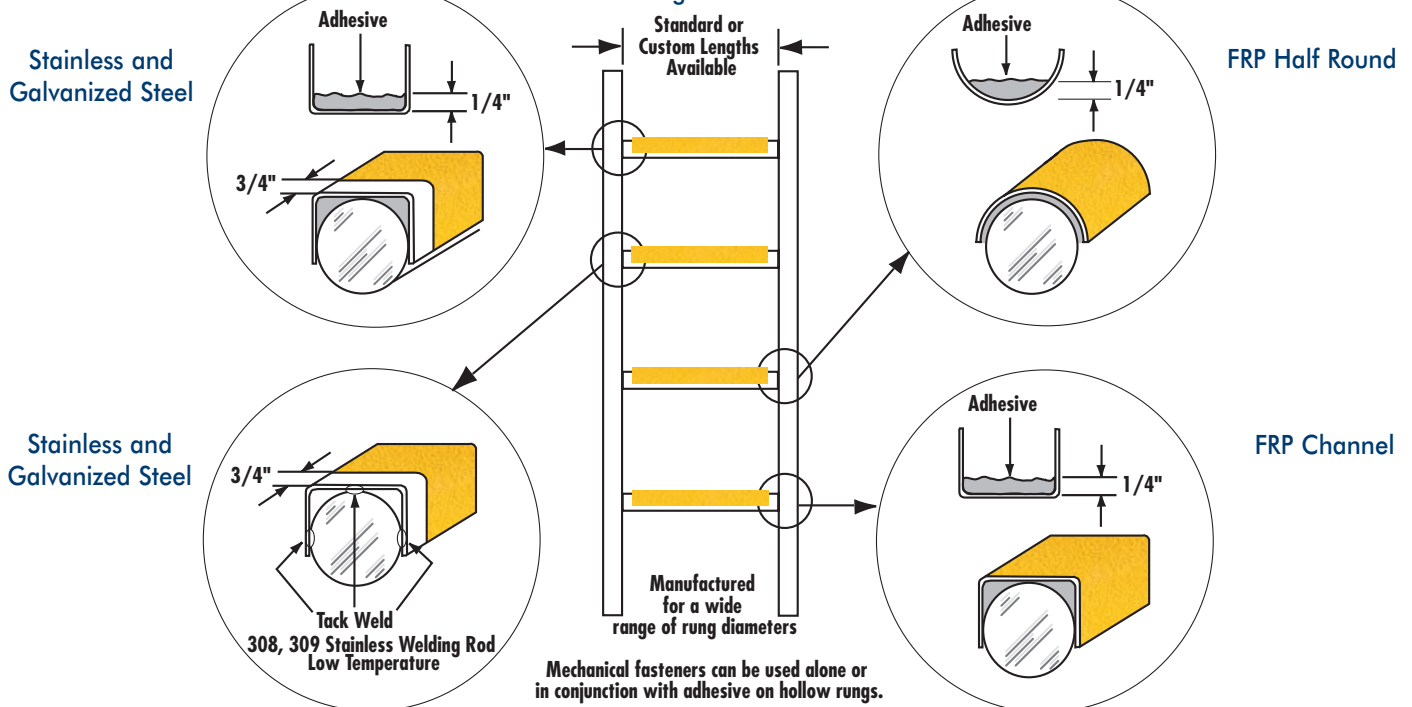
Step Cover Installation Over Grating



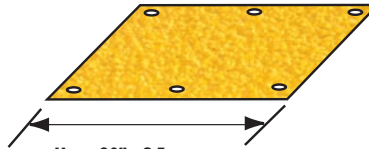
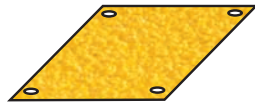
Step Cover Installation Over Diamond/Checker Metal Plate, Concrete or Wood



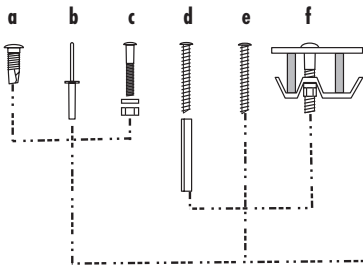
Ladder Rung Cover Installation



Walkway Cover Installation Over Diamond/Checker Metal Plate, Concrete or Wood

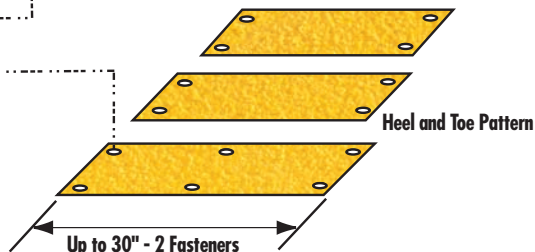


Up to 30" - 2 Fasteners
 30" to 42" - 3 Fasteners
 42" to 60" - 4 Fasteners
 60" to 96" - As Needed



All Heads Low Profile (eg. Truss Head)
 a. Self-Tapping & Self-Drilling (Tek) Screws
 b. Rivets
 c. Bolts
 d. Masonry Fasteners
 e. Wood Screws
 f. Universal Saddle Clip Assembly (for grating)

Adhesive can be used alone
 or in conjunction with mechanical
 fasteners over solid substrates.



Up to 30" - 2 Fasteners
 30" to 42" - 3 Fasteners
 42" to 60" - 4 Fasteners
 60" to 96" - As Needed

Vinyl Walkway Cover Installation



Peel release liner and
 press firmly in place

SAFEGUARD
 TECHNOLOGY
Leading Manufacturer of Anti-Slip Safety Products

Distributed by

**Diamond
 Safety
 Concepts**
 A Revolution in Floor Safety

800-842-2914

dsafety@sbcglobal.net
 www.diamond-safety.com